



BRIGHTTEK
BRIGHTTEK (EUROPE) LIMITED

Brighten up The World With LED!



ISO/TS 16949:2009



BS EN ISO 14001:2004



QC 080000 IECQ HSPM

PRODUCT DATASHEET



- ▶ DC Input Photo Coupler
- ▶ DIP4 Gullwing 400mil
- ▶ Photo Transistor

TD816X1(M)-GV



Release Date: 31 August 2024 Version: A02



TD816X1(M) Series



DESCRIPTION:

The TD816X1(M) series combine an AlGaAs infrared emitting diode as the emitter which is optically coupled to a silicon planar phototransistor detector in a plastic DIP4 package with Gullwing lead forming option.

With the robust coplanar double mold structure, TD816X1 series provide the most stable isolation feature.

FEATURES:

- High isolation 5000 Vrms
- DC input with transistor output
- Operating temperature range -55°C to +110°C
- REACH & RoHS compliance
- MSL class 1
- Regulatory Approvals:
 - UL - UL1577
 - VDE - EN60747-5-5 (VDE0884-5)
 - CQC - GB4943.1, GB8898
 - cUL - CSA Component Acceptance Service Notice 5A

APPLICATIONS:

- Switch mode power supplies
- Programmable controllers
- Household appliances
- Office equipment



Partner with: LIGHTNING

NAMING & ORDERING INFORMATION:

Naming Information:

TD816 X 1 (M) - G V	
TD816	Part Number
X	Selection: CTR (X=A~F)
1	Version: Black Case
M	Lead Form Option: DIP4 Gullwing
G	Green Option
V	VDE Option

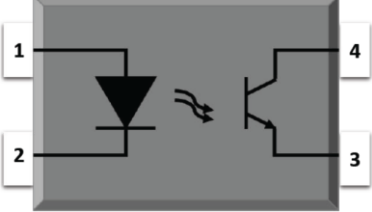
Ordering Information:

TD816X1(M)-GV						
<u>X</u> = Selection: CTR (X=A~F)						
Part Number	Symbol	Values			Unit	Test Condition
		Min.	Typ.	Max.		
TD816A1(M)-GV	CTR	80	---	160	%	I _F =5mA, V _{CE} =5V
TD816B1(M)-GV		130	---	260		
TD816C1(M)-GV		200	---	400		
TD816D1(M)-GV		300	---	600		
TD816E1(M)-GV		100	---	200		
TD816F1(M)-GV		150	---	300		

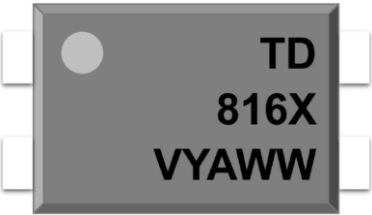
Version No.	Original Release Date
Rev: A02	07/05/2022

SCHEMATIC DIAGRAM & MARKING:

Schematic Diagram:

	PIN Definition	
	1	Anode
	2	Cathode
	3	Emitter
	4	Collector

Marking Information:

	Marking Definition	
	TD	Manufacturer Code
	816X	Part Number & CTR Rank
	V	VDE Applicable
	Y	Fiscal Year
	A	Manufacturing Code
	WW	Work Week

Labelling Information:

	<p>This product is manufactured, tested, and packed by</p> 
---	--

ABSOLUTE CHARACTERISTICS:

Absolute Maximum Ratings:

Parameter	Symbol	Ratings	Unit
INPUT			
Forward Current	I_F	60	mA
Peak Forward Current	I_{FP}	1 * ¹	A
Reverse Voltage	V_R	6	V
Input Power Dissipation	P_i	100	mW
OUTPUT			
Collector - Emitter Voltage	V_{CEO}	80	V
Emitter - Collector Voltage	V_{ECO}	6	V
Collector Current	I_c	50	mA
Output Power Dissipation	P_o	150	mW
COMMON			
Total Power Dissipation	P_{tot}	200	mW
Isolation Voltage	V_{iso}	5000 * ²	V _{rms}
Operating Temperature	T_{opr}	-55~+110	°C
Storage Temperature	T_{stg}	-55~+125	°C
Soldering Temperature	T_{sol}	260 * ³	°C

*1. 100µs pulse, 100Hz frequency

*2. AC for 1 minute, R.H.=40~60%

*3. For 10 seconds max.

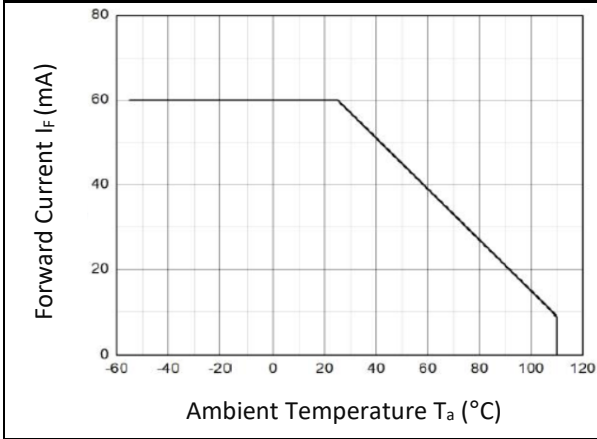
ELECTRICAL CHARACTERISTICS:

Electrical Optical Characteristics at Ta=25°C:

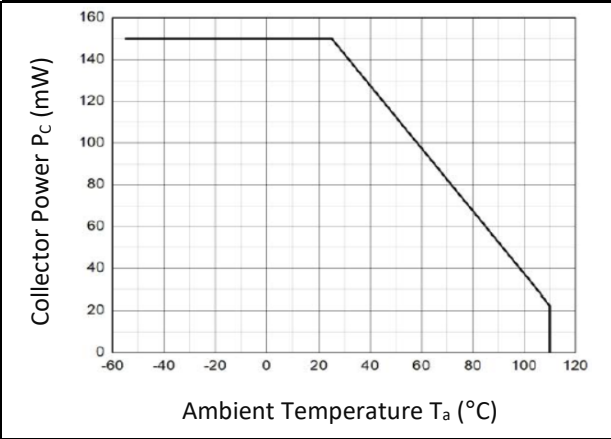
Parameter	Symbol	Values			Unit	Test Condition	
		Min.	Typ.	Max.			
INPUT							
Forward Voltage	V _F	---	1.19	1.4	V	I _F =10mA	
Reverse Current	I _R	---	---	10	μA	V _R =6V	
Input Capacitance	C _{IN}	---	10	---	pF	V=0, f=1kHz	
OUTPUT							
Collector Dark Current	I _{CEO}	---	---	100	nA	I _F =0mA, V _{CE} =20V	
Collector - Emitter Breakdown Voltage	BV _{CEO}	80	---	---	V	I _C =0.1mA, I _F =0mA	
Emitter - Collector Breakdown Voltage	BV _{ECO}	6	---	---	V	I _E =0.1mA, I _F =0mA	
TRANSFER CHARACTERISTICS							
Turn On Threshold Current	TD816A1	CTR	80	---	160	%	I _F =5mA, V _{CE} =5V
	TD816B1		130	---	260		
	TD816C1		200	---	400		
	TD816D1		300	---	600		
	TD816E1		100	---	200		
	TD816F1		150	---	300		
Collector-Emitter Saturation Voltage	V _{CE(sat)}	---	0.06	0.2	V	I _F =20mA, I _C =1mA	
Isolation Resistance	R _{ISO}	10 ¹²	10 ¹⁴	---	Ω	DC=500V, 40 ~ 60% R.H.	
Floating Capacitance	C _{IO}	---	0.4	1	pF	V=0, f=1MHz	
Response Time (Rise)	t _r	---	3	18	μs	V _{CE} =2V, I _C =2mA R _L =100Ω	
Response Time (Fall)	t _f	---	4	18	μs		
Cut-off Frequency	f _c	---	80	---	kHz	V _{CE} =2V, I _C =2mA R _L =100Ω, -3dB	

CHARACTERISTIC CURVES:

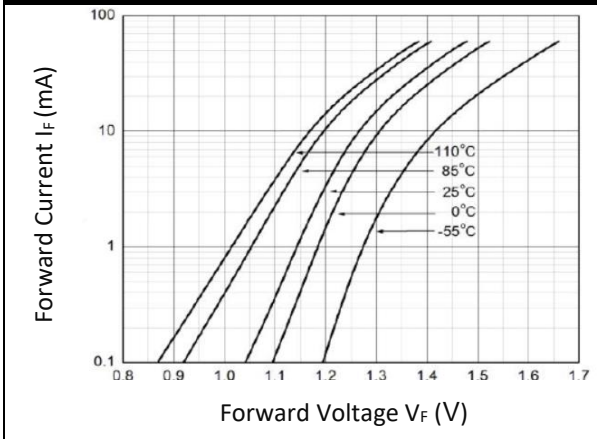
Forward Current v.s. Ambient Temperature



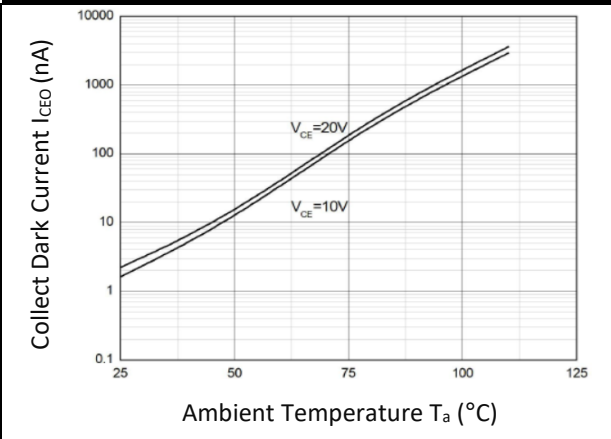
Collector Power Dissipation v.s. Ambient Temp.



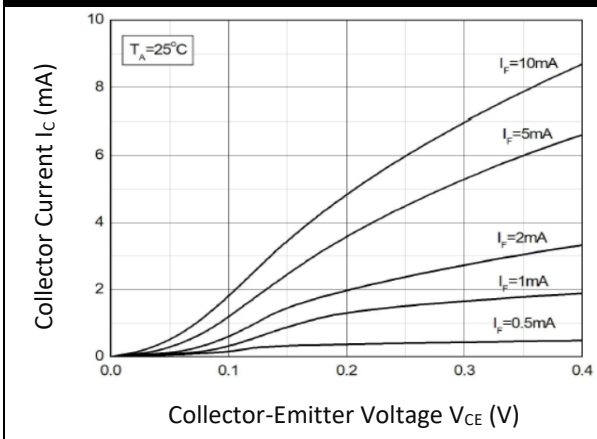
Forward Current v.s. Forward Voltage



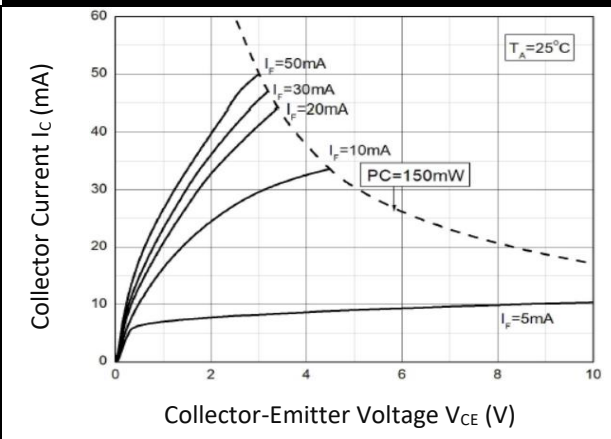
Collector Dark Current v.s. Ambient Temperature



Collector Current v.s. Collector-Emitter Voltage

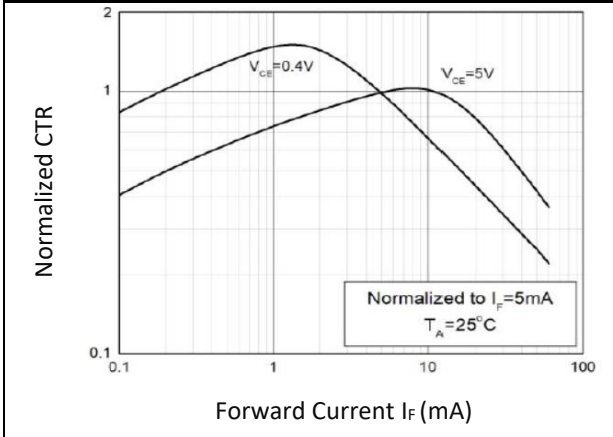


Collector Current v.s. Collector-Emitter Voltage

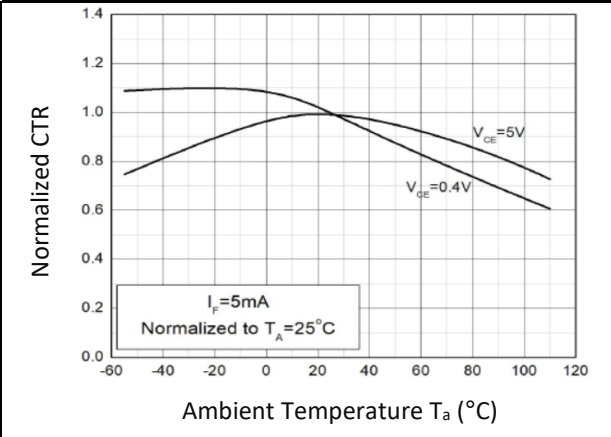


CHARACTERISTIC CURVES:

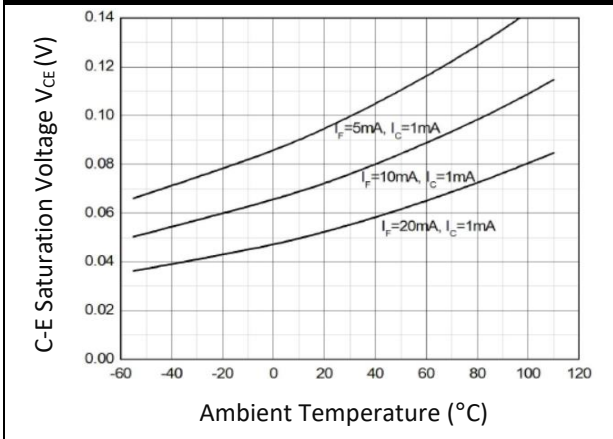
Normalized Current Transfer Ratio v.s. Forward Current



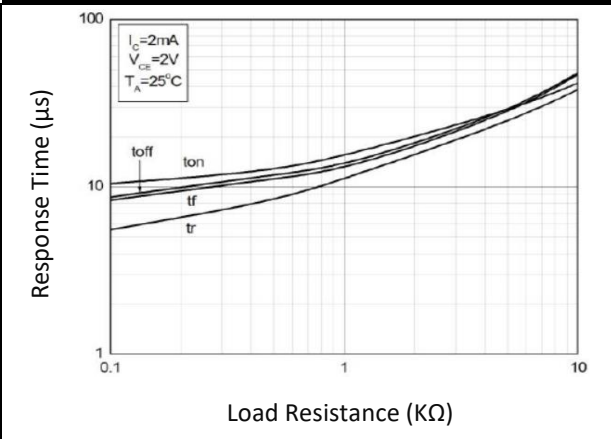
Normalized Current Transfer Ratio v.s. Ambient Temperature



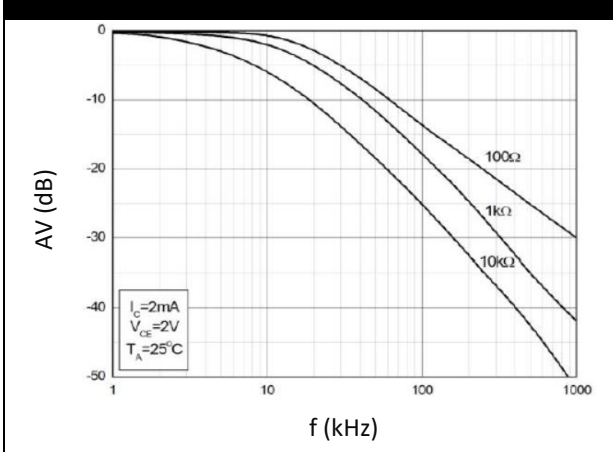
Collector-Emitter Saturation Voltage v.s. Ambient Temperature



Switching Time v.s. Load Resistance

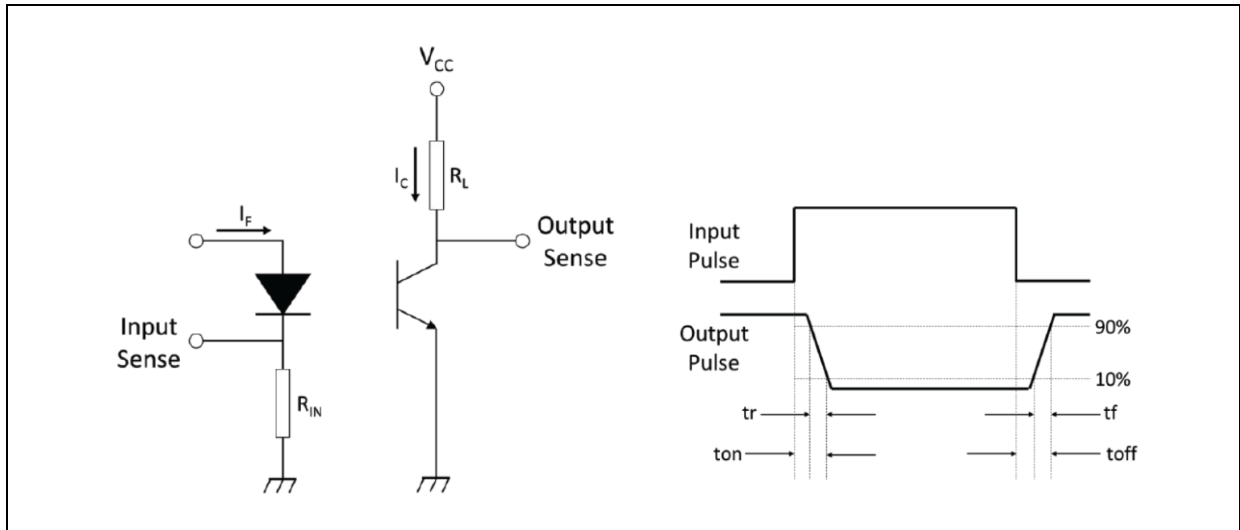


Frequency Response

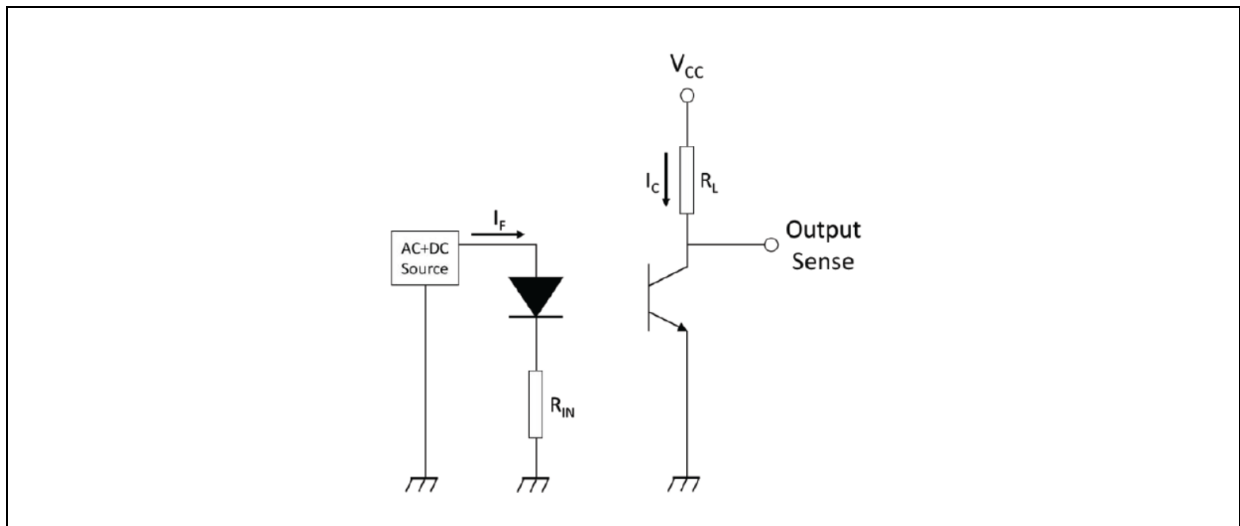


TEST CIRCUIT:

Test Circuit of Response Time:

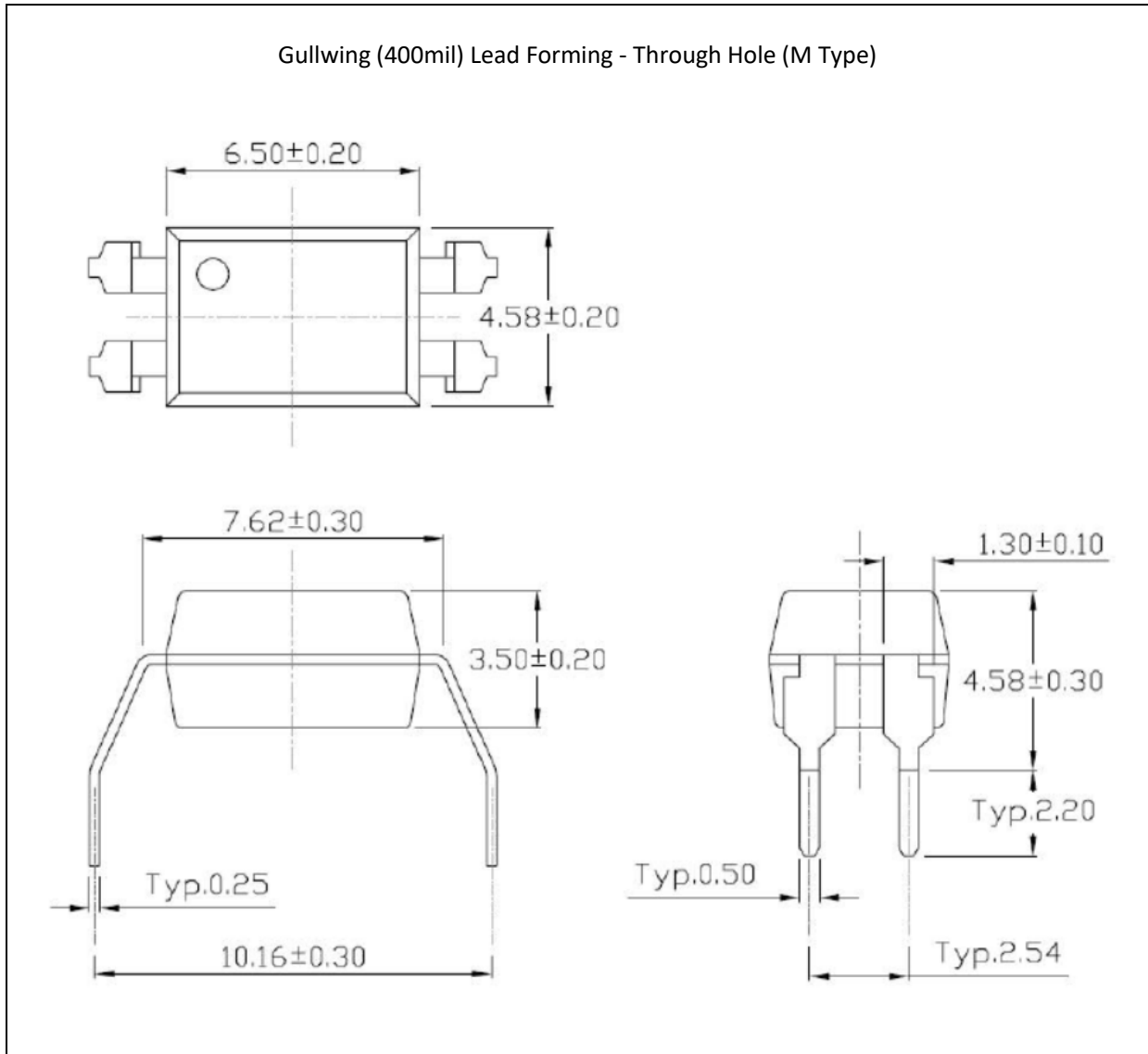


Test Circuit of Frequency Response:



OUTLINE DIMENSION:

Package Dimension:

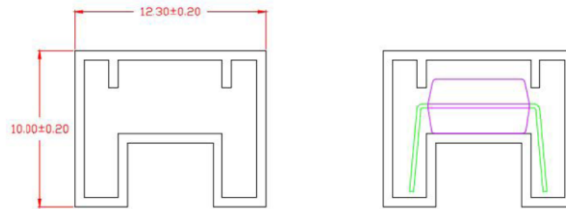


1. All dimensions are in millimetre (mm).

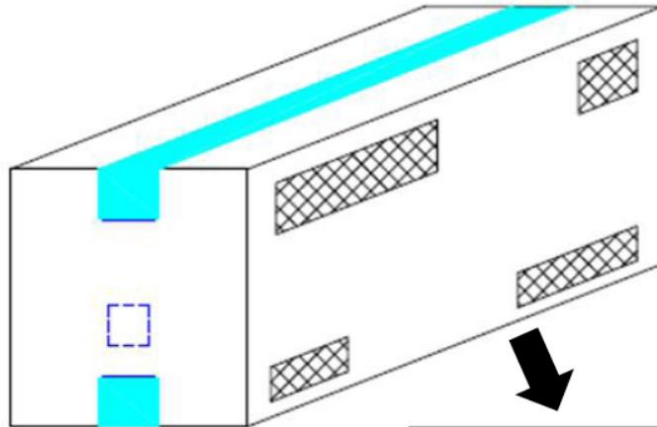
PACKING SPECIFICATION:

Tube Dimension:

100pcs/tube, 32 tube/inner box, 10 inner box (32Kpcs)/carton



● L x W x H = 52.5cm x 10.7cm x 4.7cm



● L x W x H = 53.5cm x 23.5cm x 25.5cm



RECOMMENDED SOLDERING PROFILE:

Reflow Information:

