



BRIGHTTEK
BRIGHTTEK (EUROPE) LIMITED

Brighten up The World With LED!



ISO/ITS 16949:2009



BS EN ISO 14001:2004



QC 080000 IECQ HSPM

PRODUCT DATASHEET



- ▶ Rotary Encoder
- ▶ Switches with LCD
- ▶ CAN BUS Communication

SRB3-PL



Release Date: 28 November 2024 Version: A01



PATENT INFO:

- PAT. I688980
- PAT. I738469
- PAT. D199473
- PAT. ZL201830757963.5
- PAT. ZL201822200452.0

SRB3-PL



DESCRIPTION:

The SRB3 Series switch features a rotary encoder with push button and dimmable backlight. CAN BUS communication. Fully compatible with ISO 11898 standard. Providing simple installation and connectivity.

FEATURES:

- High isolation 5000 Vrms
- CAN high speed (up to 1 Mbps)
- Panel cutting \varnothing 25mm
- Front Panel IP65
- 1.28-inch full color circular LCD display
- Option LED backlight
- Pushbutton Switch
- Rotary encoder with transmissive optical Sensor
- Customized CAN BUS service

CHARACTERISTICS:

GENERAL SPECIFICATIONS:

Communication interface:	CAN BUS ISO 11898
CAN BUS Speed:	1 Mbps
CAN ID:	0x0588
DLC:	8 Bytes
Power Supply:	5V
Operation Current:	250mA max.
Operating Life (Encoder):	C.W. 100,000 cycles min & C.C.W 100,000 cycles min.
Operating Force (Encoder):	1.5Kgf-cm max.
Operating Life (Switch):	100,000 cycles min.
Operating Force (Switch):	800gf±300gf
Backlight:	RGB LED
Enclosure protection:	IP65 (Front Panel)
Operation Temperature:	-20°C~+70°C

DISPLAY SPECIFICATIONS:

Size:	1.28-inch Circle TFT
Display Color:	Full Color, 262K max.
Resolution:	240 RGB (H) x 240 (V)
Luminance (cd/m ²):	400 cd/m ²
Backlight:	White LED

MATERIALS:








Knob:	Polyamide (PA), Polycarbonate (PC), Aluminum
Lens:	Polycarbonate (PC)
Base:	Polycarbonate (PC)
Washer:	NBR
Nuts:	Polyamide (PA)
Cable:	UL1571#28AWG, 4 wires

NAMING & ORDERING INFORMATION:

Naming Information:


SRB3 - X Y	
SRB3	Series Number
X	Knob Type: P/1/2/3
Y	Knob Material and Colour: L/T/O/5

Ordering Information:

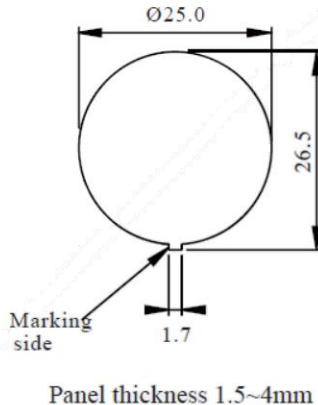
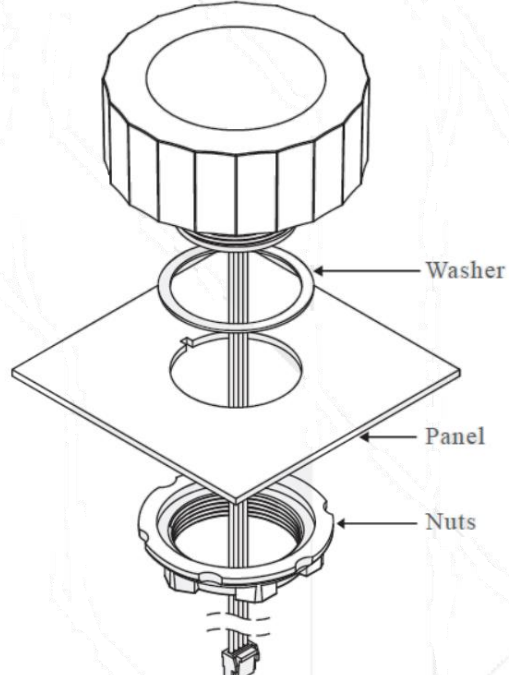
Pictures	Part Number	Type	Colour	Material
	SRB3-PL	Type P	Silver	Plastic
	SRB3-10	Type 1	Silver	Aluminium
	SRB3-2L	Type 2	Silver	Plastic
	SRB3-3T	Type 3	Transparent	Plastic
	SRB3-P5	Type P	Black	Plastic
	SRB3-15	Type 1	Black	Aluminium
	SRB3-25	Type 2	Black	Plastic

BLOCK DIAGRAM:

PIN Function:

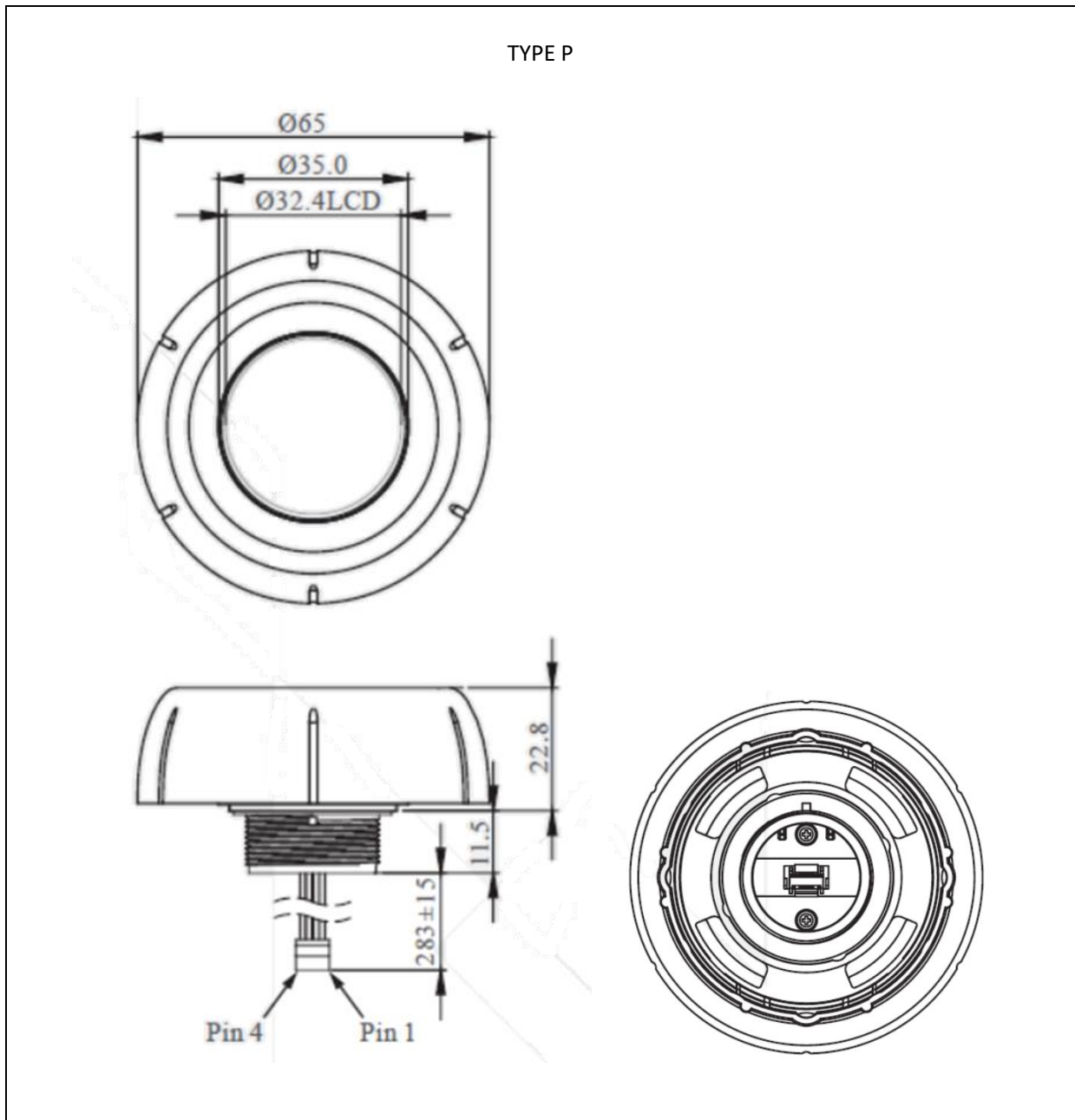
 <p>The connector is similar with JST GHR-04V-S Conductor pitch: 1.25mm Conductor width: 0.20mm</p>	PIN Definition	
	Red	Power Supply Voltage 5V
	White	CAN H
	Yellow	CAN L
	Black	Ground

Panel Cutting and Installation Notes:

 <p>Panel thickness 1.5~4mm</p>	 <p>Washer</p> <p>Panel</p> <p>Nuts</p>
--	--

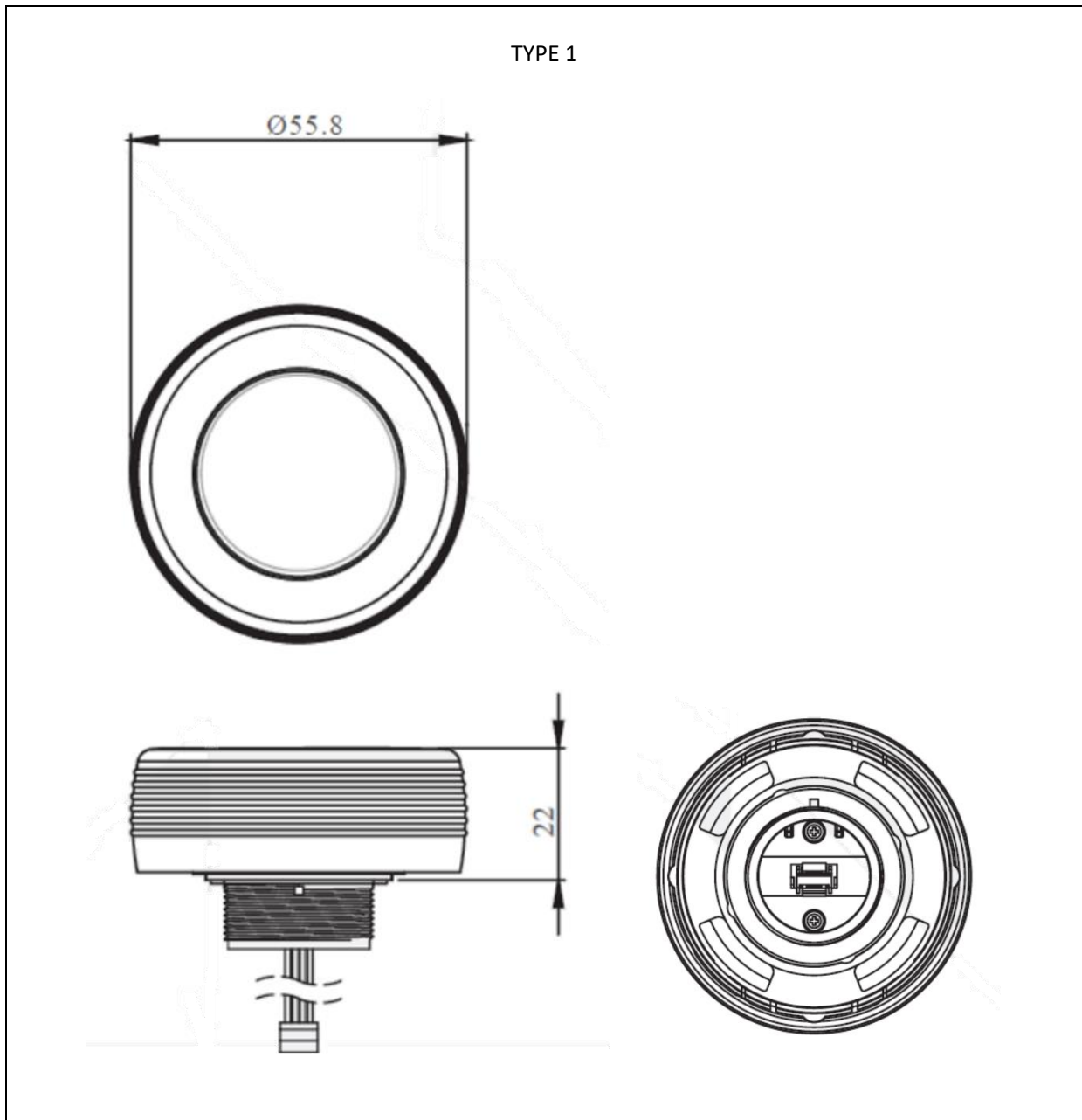
OUTLINE DIMENSION:

Package Dimension:



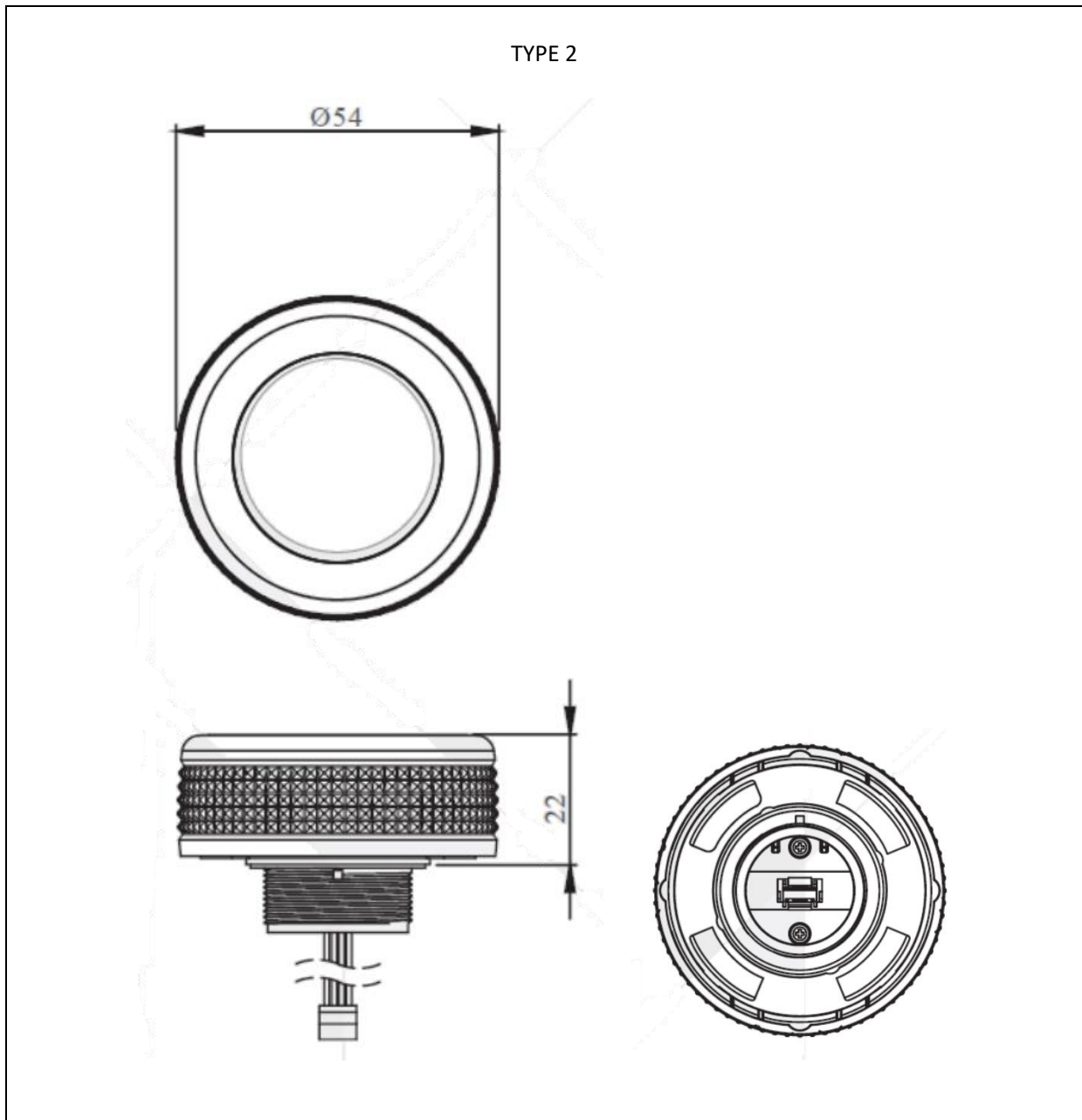
1. All dimensions are in millimetre (mm).

Package Dimension:



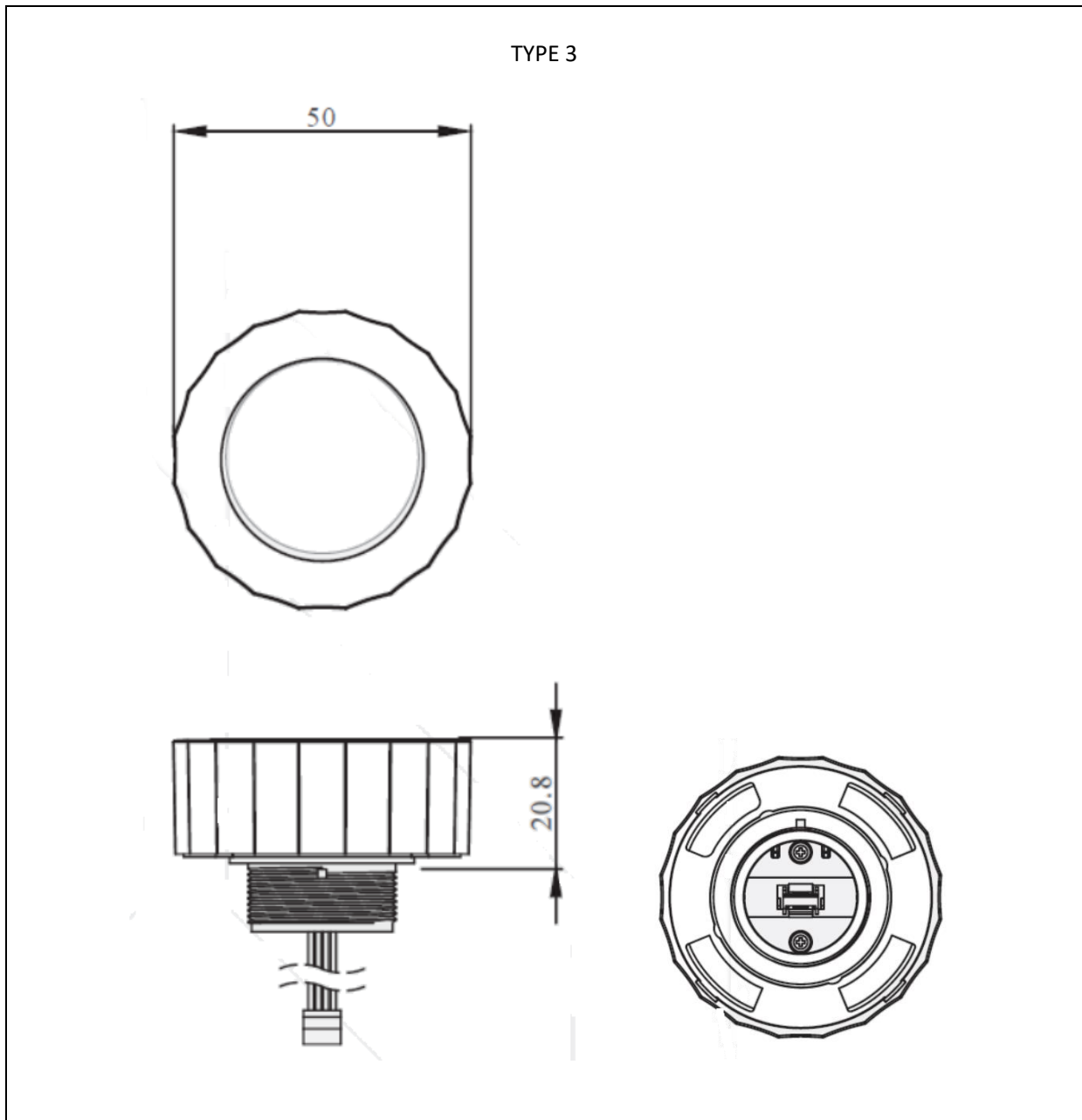
1. All dimensions are in millimetre (mm).

Package Dimension:



1. All dimensions are in millimetre (mm).

Package Dimension:



1. All dimensions are in millimetre (mm).